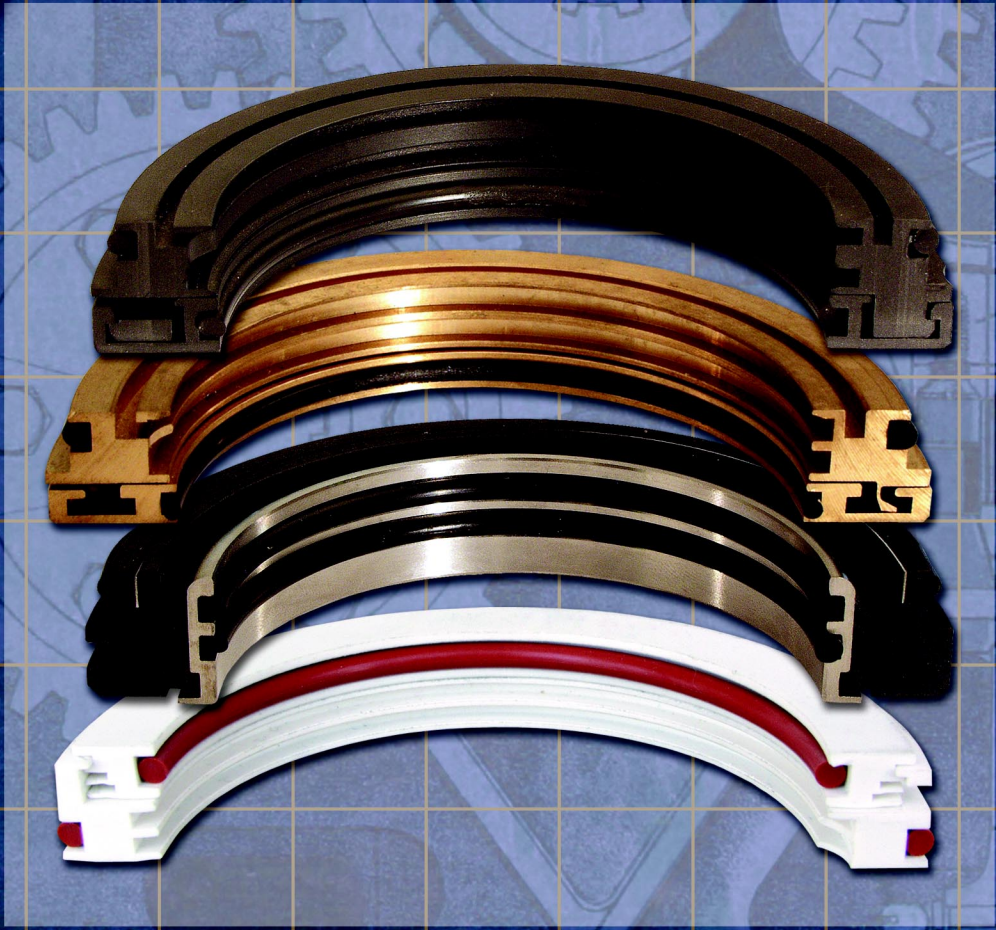


ProTech™ Bearing Isolators



Catalog EPS 5275/USA



PROTECH

ProTech™ Bearing Isolators

The Ultimate in Bearing Protection

- Unitized, two-piece, non-contact design
- Zero lubricant leakage
- Total exclusion of contaminants
- Extended bearing life
- Exceeds IEEE-841 for electric motors
- Patented and additional patents pending
- 24-hour shipment available

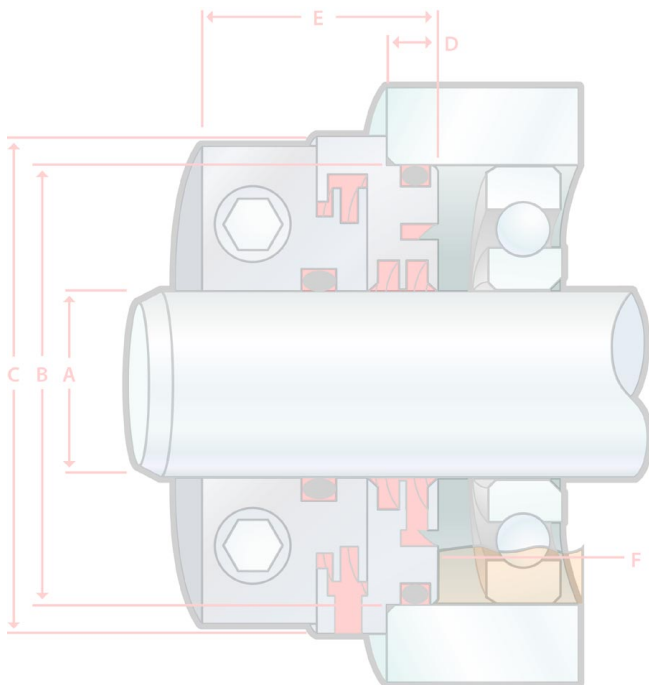


FAILURE OR IMPROPER SELECTION OR IMPROPER USE OF THE PRODUCTS DESCRIBED HEREIN OR RELATED ITEMS CAN CAUSE DEATH, PERSONAL INJURY AND PROPERTY DAMAGE.

This document and other Information from Parker Hannifin Corporation, its subsidiaries and authorized distributors provide product or system options for further investigation by users having technical expertise. Before you select or use any product or system, it is important that you analyze all aspects of your application and review the information concerning the product in the current product catalog. The user, through its own analysis and testing, is solely responsible for making the final selection of the system and components and assuring that all performance, safety and warning requirements of the application are met.

Offer of Sale

The products described herein, including without limitation, product features, specifications, designs, availability and pricing, are subject to change by Parker Hannifin Corporation and its subsidiaries at any time without notice. This offer and its acceptance are governed by the provisions stated in the "Offer of Sale."



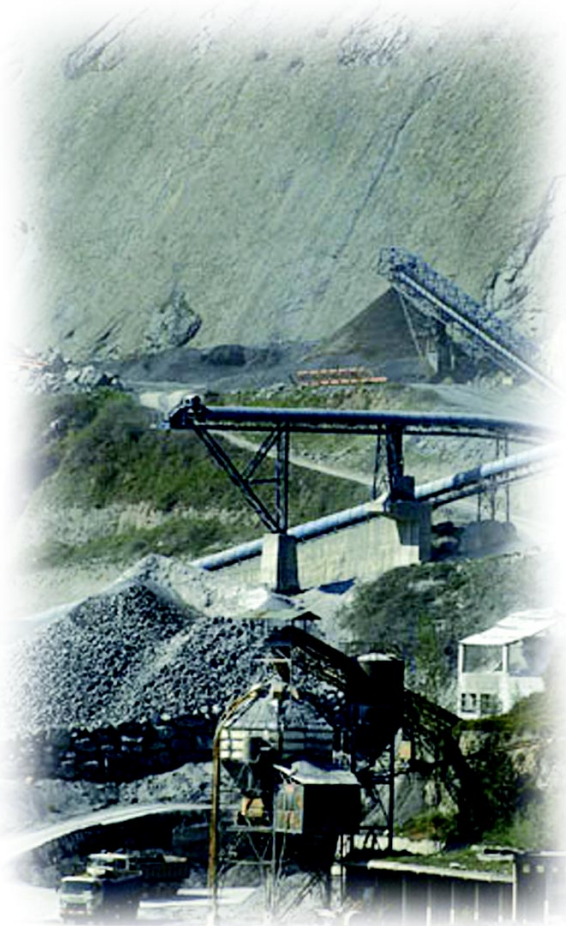
© Copyright 2005, Parker Corporation. All Rights Reserved.



TABLE OF CONTENTS	
ProTech Sealing Applications	2
ProTech Seal Design	5
ProTech Features and Benefits	6
Extreme Testing	7
Standard ProTech Designs	8
Standard Operating Parameters	
Profile LS	9
Profile LN	10
Profile LB	11
Profile LW	12
Profile WD	13
Profile SL	14
Profile SM - Millennium	15
Profile ML - Millennium	16
Profile MN - Millennium	17
Profile FS - 360	18
Profile FN - 360	19
ProTech Standard Listing	
Inch Standards	20
Metric Standards	21
Quick Interchange	
Pump List	22
Design Data Sheet	23
Parker Hannifin Corporation	24
Offer of Sale	BC

Unmatched Corrosion Resistance

Advanced proprietary PTFE compounds mean ProTech is well suited for caustic environments such as citric acids found in juice processing and strong sulfides in pulp and paper processing. ProTech's superior chemical resistance allows for the standardization of a single material within a plant, eliminating the need to stock duplicate sizes in expensive stainless steel, Hasteloy or other exotic materials. PTFE is compatible with over 160 chemicals vs. 11 for bronze and 30 for stainless steel.



Superior Bearing Protection Even In Harsh Operating Environments

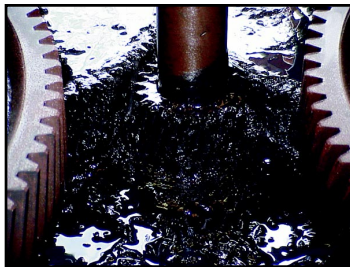
Parker developed the unique ProTech design to provide unmatched **two way** sealing for zero lubricant leakage and total exclusion of contaminants. This is accomplished by using non-contact labyrinth seal technology. ProTech features the most effective labyrinth design for both dirt exclusion and oil retention and is far superior to isolators that rely on internal o-rings or other internal seals for sealability. If you want more than just an o-ring for bearing protection – step up to ProTech!

Ultimate Performance

The isolator protection you rely on for protecting bearings in pumps and motors is also available for gearbox applications. ProTech 360 is a hybrid design that incorporates an outboard labyrinth for contaminant exclusion and PTFE lip technology for positive oil retention, even in vertical down applications. ProTech 360 is used by numerous OEM's for their most demanding gearbox applications.



BEFORE



Severe and costly damage to internal gearbox components, including gear teeth, routinely occurred (approx. every 90 days) due to lip seal's failure to exclude contaminants.

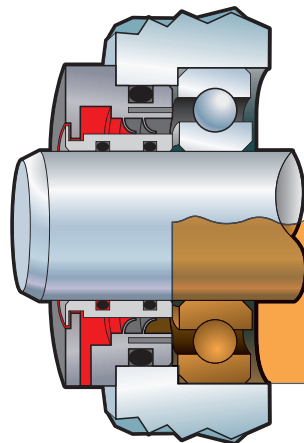
AFTER



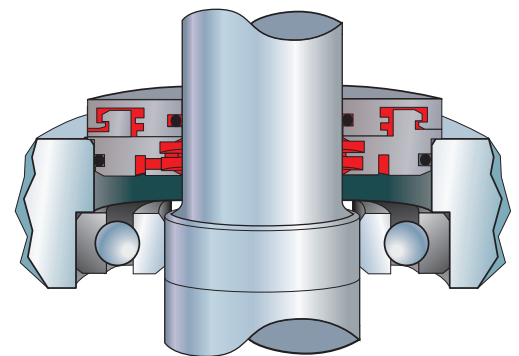
Inspection of same gearbox 13 months after installation of ProTech. Photo taken as-is after cover removed.

Cooling Tower Gearboxes Sealed From Top To Bottom

Upgrading gearboxes that drive cooling tower fans with the ProTech 360 design on the input shaft and the ProTech LW design for the vertical up location is becoming the industry standard for preventing failure due to moisture intrusion.



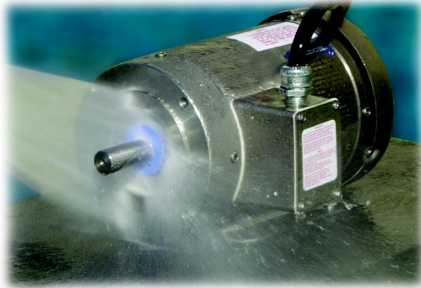
Input Shaft
ProTech 360



Output Shaft
ProTech LW

The Best Solutions For Food Processing Applications

ProTech's unique designs and superior performance are eating the competition's lunch in the food processing market. The WD is an economical profile for high volume, disposable equipment such as wash down grade motors and drives. It also greatly reduces maintenance costs and down time in food processing applications such as picker hubs in poultry processing. Anti-microbial and FDA materials are readily available.



ProTech WD meets IP69k



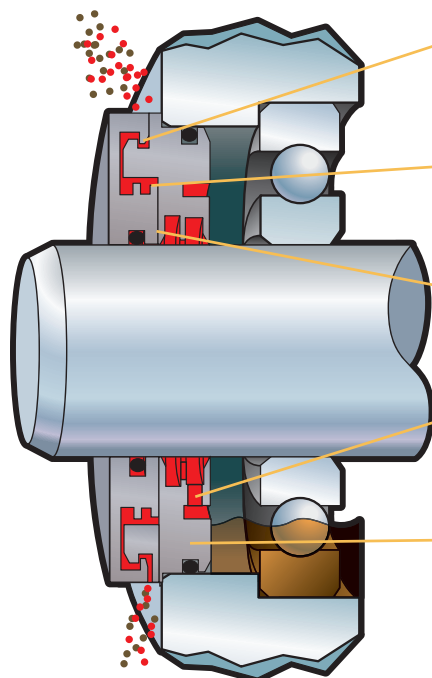
Prefer A Metallic Isolator?

Parker's ProTech Millennium™ bearing isolator is much more than just a bronze o-ring holder. Based on patented labyrinth seal technology, Millennium's robust non-contact isolator needs no internal o-ring seal to exclude heavy water spray. No internal seal means zero wear and longer life. Severe oil splash retention grooves, unitized cartridge design and tool-free installation are also standard features. If you demand metallic isolators, demand Millennium!

ProTech Seal Design

With years of experience in the design and manufacture of sealing solutions for industrial applications, Parker is an industry leader in seal design technology and is *the* innovation leader when it comes to bearing isolator design.

Parker's ProTech design innovations include the first bearing isolator with a two-piece unitized design, complete wrap around rotor, severe splash oil grooves and a hybrid isolator for flooded applications.



ProTech "LW"

- First to offer unitized construction. Patented design locks seal together and won't wear like internal o-rings, PTFE elements or other locking rings.
- Contaminant exclusion relies on labyrinth technology, not an internal seal. ProTech does not rely on a simple internal o-ring to protect your bearings.
- Superior chemical resistance provided by proprietary PTFE materials.
- Setting the standard for oil retention. Inboard labyrinth is the most efficient design for retaining oil splash. Far superior to the single groove concept.
- External o-rings provide press fit at shaft and seal housing for zero wear of shaft and housing. Also allows for easy installation.

First isolator U.L. tested to IEEE 841, meets IP55, IP56, IP66, IP69k and API 610

ProTech Materials

ProTech is constructed of proprietary reinforced PTFE, and is made to perform in high speed, high temperature, and extreme chemical environments. PTFE fillers extend the range of operating conditions by delivering enhanced physical properties to meet specialized environmental conditions such as those found in pulp and paper, petrochemical and food service applications.

Quality

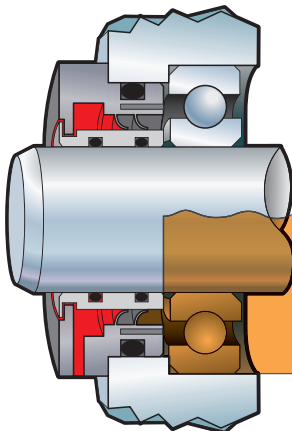
ProTech is manufactured under strict quality control processes — from raw material selection to finished product. The highest quality and absolute consistency from lot-to-lot are assured by:

- Our many years of seal manufacturing experience
- Use of only first-grade virgin PTFE resins
- Sophisticated system for controlling critical sintering process
- Specialized CNC production equipment
- QS-9000 certification

Reliable Performance

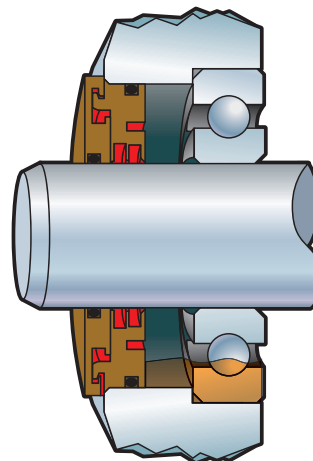
CHARACTERISTICS	FEATURES	BENEFITS
ProTech can replace radial lip oil seals when performance and reliability are critical. In addition, ProTech can be made for a wide range of industrial applications.	Non-Contact Design	<ul style="list-style-type: none"> ■ Virtually no torque consumption ■ Will not wear or groove shafts
	Two-Piece Unitized Construction	<ul style="list-style-type: none"> ■ Complete exclusion of dust and water ■ Zero oil leakage ■ Fewer components and ease of installation
	Accommodates Greatest Axial Movement in Industry	<ul style="list-style-type: none"> ■ Reduces a major factor causing labyrinth seal leakage
	Fluoroelastomer O-rings	<ul style="list-style-type: none"> ■ Static elastomer seal for the most severe services
	No Lubrication Required	<ul style="list-style-type: none"> ■ Can run dry because of non-contact design
	High Shaft Speeds	<ul style="list-style-type: none"> ■ Operates far beyond shaft speed limits of standard radial lip seals ■ Liberal specifications for shaft and bore finish result in low shaft cost
	Precision-Machined Seal	<ul style="list-style-type: none"> ■ Allows retrofit of most bore and shaft combinations ■ No tooling charges

PROTECH 360



The **ProTech 360** profile is the first and only hybrid isolator designed for flooded oil and oil mist applications. Used by numerous gearbox OEMs as standard equipment, the ProTech 360 features internal dual PTFE lips on an internal SS sleeve for zero shaft wear.

PROTECH MILLENNIUM



The **ProTech Millennium** profile is the first and only metallic isolator that is unitized without internal o-rings or locking rings. Millennium's patented labyrinth technology does not rely on a simple o-ring for bearing protection.

Extreme Testing

Laboratory testing has significant advantages over field testing. The lab effectively compresses time and more easily explores limits. Before ProTech saw its first field test, it was put through laboratory tests far more severe than conditions ever encountered in the field. ProTech's effectiveness is also validated by independent laboratory testing.

Both ProTech and competitive seals were subjected to three extreme in-house tests with ProTech clearly emerging as the seal of choice.

1. Oil Leakage Test

ProTech and other seals were subjected to critical oil seal testing using a machine built to SAE J110 standards. One-hundred hour tests were conducted with severe oil splash.

2. Water Exclusion Test

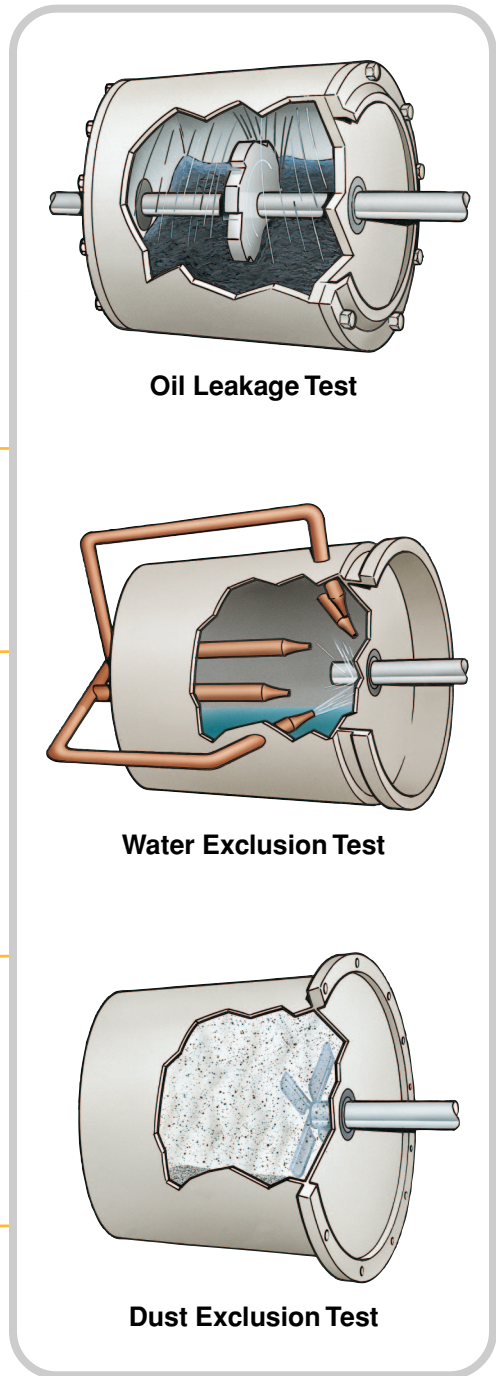
The test machine was modified by mounting five nozzles at various positions relative to the exterior of the seal to simulate severe external wash down. Using water at pressures of 30 to 62 psi, these nozzles individually sprayed each seal from a distance of 3" in both a static mode and while the shaft rotated at various speeds up to 3525 rpm. The nozzles tried to force water past the seal for nearly two hours.

3. Dust Exclusion Test

The test machine was modified with an enclosed chamber containing a large quantity of fine dust and sand which was vigorously agitated with the chamber attached to the outside of each seal area. The equipment operated at speeds up to 3525 rpm for a period of 70 hours in an environment that was literally a dense dust storm.

Conclusions

ProTech was the only seal that passed all three torture tests. In addition to lab testing, field trials confirm ProTech's performance superiority.

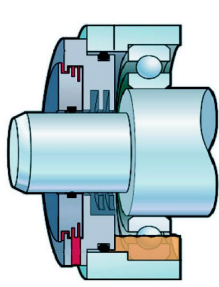


EXTREME TEST RESULTS				
Material: Expulsion Method: Design Type: Brand	PTFE Single-Port 2-Pc. Unitized Parker	Bronze Single-Port 2-Pc. Non-Unitized Brand A	PTFE Multi-Port 3-Pc. Unitized Brand B	Bronze Single-Port 3-Pc. Unitized Brand C
Oil Leak Test	Pass	Fail	Pass	Fail
Water Pressure Test	Pass	Fail	Fail	Fail
Dust Test	Pass	Pass	Fail	Fail

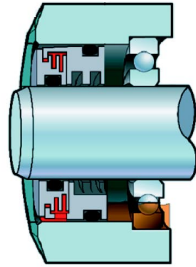
ProTech is available in multiple designs to meet specific design requirements and geometry constraints.

Available with or without flange to provide labyrinth sealing in restricted widths • **Single and multiple expulsion ports available** when directional installation is a problem • **Exceeds IEEE-841** to provide premium bearing protection on severe-duty electric motors • **New split pillow block design** meets OEM specifications.

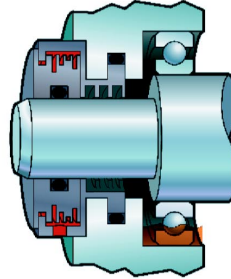
STANDARD DESIGNS



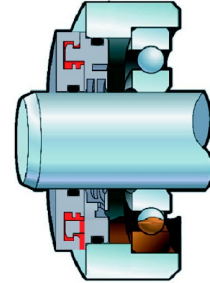
**LS
Flanged**



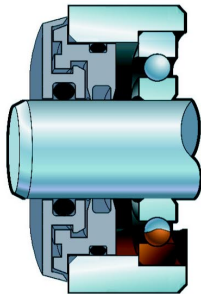
**LN
Non-Flanged**



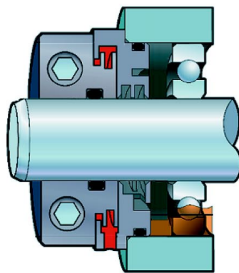
**LB
Pillow Block**



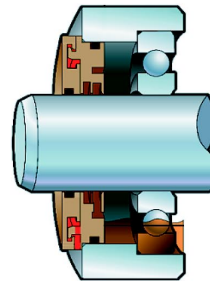
**LW
Flanged**



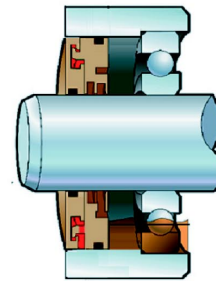
**WD
Narrow**



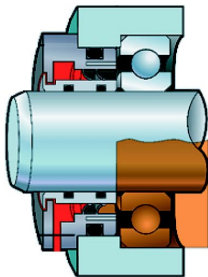
**SL
Split**



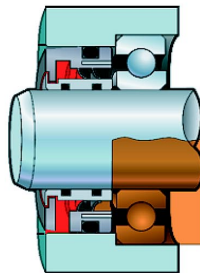
**ML Flanged
Millennium**



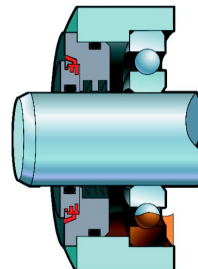
**MN Non-Flanged
Millennium**



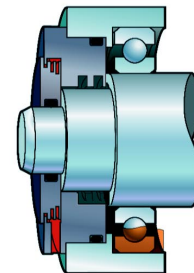
**FS
360 Flanged**



**FN
360 Flanged**

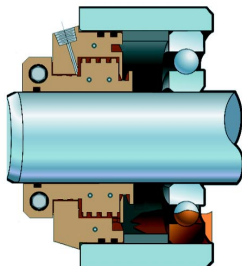


**LD
Multi Port**

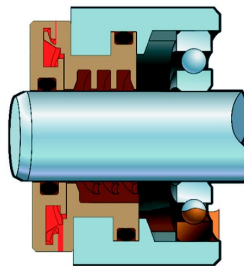


**LM
Step Shaft**

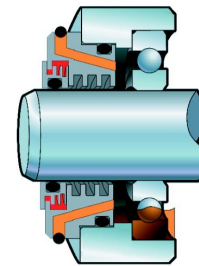
CUSTOM DESIGN EXAMPLES



**Split Air
Purge**



Turbine



**Grease
Purge**

Flanged Design – LS

Standard Operating Parameters

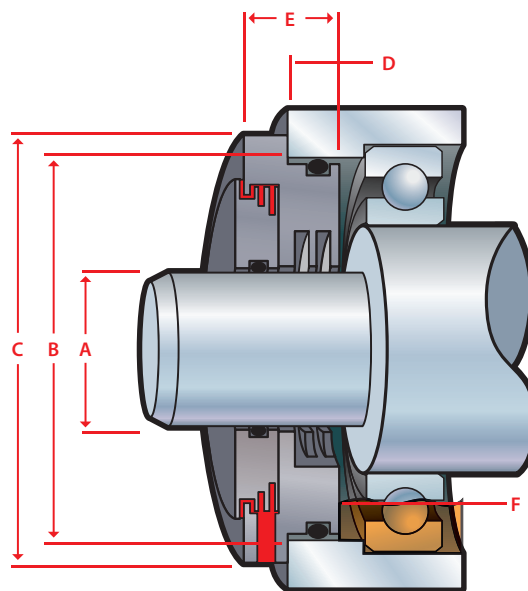
Total Eccentricity: .020" (.51 mm)
 Shaft Speed: Up to 5,000 fpm (1,500 mpm)
 Pressure: 0 psi / bar
 Temperature Range: -40 to 250 F (-40 to 121 C)
 Axial Movement: .020" (.51 mm) Special designs up to .070" (1.78 mm)
 Shaft / Bore Tolerances: ± .002" (± .05 mm)
 Special designs available

Seal Material:

Standard Proprietary PTFE
 Optional Food grade, Anti microbial, FDA 3A

O-Ring Material:

Standard FKM
 Optional NBR, FDA silicone, EPDM, Aflas®†



MOUNTING		LUBRICATION		
	Position	Grease	Oil	Dry
Horizontal	Y	Y	Y	Y
Vertical Up	Y*	Y	Y	Y
Vertical Down	Y	Y	N	Y

*If contaminant level is heavy see "LW" design (page 12)

Retain: Grease and oil splash (operating oil level in cavity between seal and bearing must be below inboard oil drain-back port of seal "F")

Exclude: Heavy water spray and dry contaminants from bearing cavity, best for vertical down applications

Equipment: Motors, pumps, mixers, gearboxes, blowers and custom equipment

STANDARD DIMENSIONS					
Type	"A" Shaft Diameter Range Inch	"B" Bore Diameter Range Is Shaft Diameter "A" + Min-Max	"C" Flange Diameter = "B"+	"D" In Bore Depth	"E" Overall Seal Width
LSE	0.500 – 3.000	0.626 – 1.500	0.250	0.313	0.688
LSE	3.001 – 4.000	0.626 – 1.500	0.250	0.375	0.750
LSE	4.001 – 6.000	0.874 – 1.500	0.250	0.375	0.750
LSE	6.001 – 10.000 ²	0.874 – 1.500	0.250	0.438	0.815

Type	"A" Shaft Diameter Range Metric	"B" Bore Diameter Range Is Shaft Diameter "A" + Min-Max	"C" Flange Diameter = "B"+	"D" In Bore Depth	"E" Overall Seal Width
LSM	12.0 – 40.0	10.0 – 40.0	6.0 ¹	7.0	16.0
LSM	40.1 – 60.0	12.0 – 40.0	6.0 ¹	8.0	17.0
LSM	60.1 – 80.0	15.0 – 40.0	6.0 ¹	9.0	18.0
LSM	80.1 – 130.0	20.0 – 40.0	6.0	9.0	18.0
LSM	130.1 – 254.0 ²	24.0 – 40.0	6.0	11.0	20.0

¹ May be larger for small cross sections. Consult factory for dimensions.
² Contact factory for requirements outside of standard dimensions listed above
 Note: Cross Section = (Bore – Shaft) / 2
 † Aflas® is a registered trademark of Asahi Glass Co.

Flush Mount Design – LN

Standard Operating Parameters

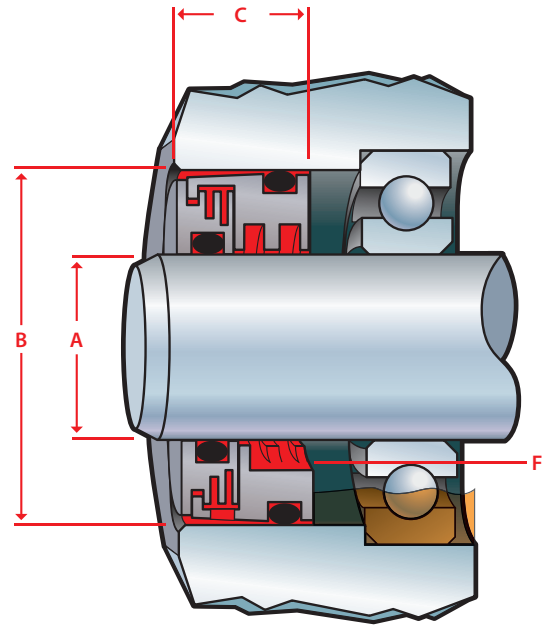
Total Eccentricity: .020" (.51 mm)
 Shaft Speed: Up to 5,000 fpm (1,500 mpm)
 Pressure: 0 psi / bar
 Temperature Range: -40 to 250 F (-40 to +121 C)
 Axial Movement: .020" (.51 mm) special designs up to .070" (1.78 mm)
 Shaft / Bore Tolerances: ± .002" (± .05 mm)
 Special designs available

Seal Material:

Standard Proprietary PTFE
 Optional Food grade, Anti microbial, FDA 3A

O-Ring Material:

Standard FKM
 Optional NBR, FDA silicone, EPDM, Aflas®†



MOUNTING		LUBRICATION		
	Position	Grease	Oil	Dry
Horizontal	Y	Y	Y	Y
Vertical Up	NR*	Y	Y	Y
Vertical Down	Y	Y	N	Y

*Not Recommended (NR). If contaminant level is heavy see "LW" design (page 12)

Retain: Grease and oil splash (operating oil level in cavity between seal and bearing must be below inboard oil drain-back port of seal "F")

Exclude: Heavy water spray and dry contaminants from bearing cavity

Equipment: Applications requiring seal to be flush mounted to equipment housing. Motors, pumps, mixers, gearboxes, blowers and custom equipment

STANDARD DIMENSIONS			
Type	"A" Shaft Diameter Range Inch	"B" Bore Diameter Range Is Shaft Diameter "A" + Min-Max	"C" In Bore Depth
LNE	0.500 – 4.000	0.750 – 1.500	0.562
LNE	4.001 – 10.000 ¹	0.874 – 1.500	0.625

Type	"A" Shaft Diameter Range Metric	"B" Bore Diameter Range Is Shaft Diameter "A" + Min-Max	"C" In Bore Depth
LNM	12.0 – 80.0	14.0 – 40.0	10.0
LNM	80.1 – 130.0	16.0 – 40.0	12.0
LNM	130.1 – 250.0 ¹	18.0 – 40.0	15.0

¹ Contact factory for requirements outside of standard dimensions listed above

Note: Cross Section = (Bore – Shaft) / 2

† Aflas® is a registered trademark of Asahi Glass Co.

Split Pillow Block Design – LB Standard Operating Parameters

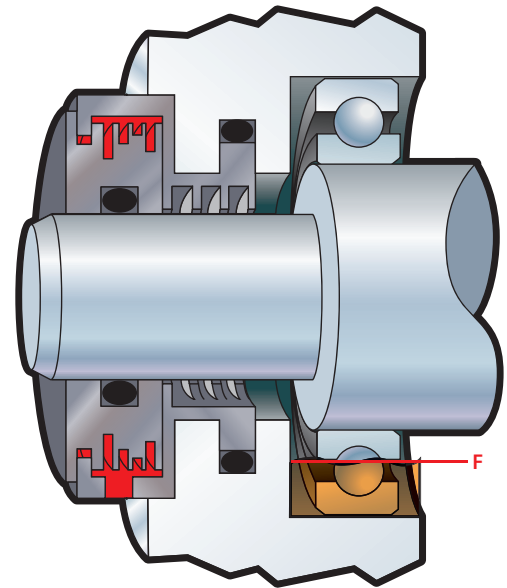
- Total Eccentricity: .020" (.51 mm)
- Shaft Speed: Up to 5,000 fpm (1,500 mpm)
- Pressure: 0 psi / bar
- Temperature Range: -40 to 250 F (-40 to 121 C)
- Axial Movement: .020" (.51 mm) special designs up to .070" (1.78 mm)
- Shaft / Bore Tolerances: ± .002" (± .05 mm)
 Special designs available

Seal Material:

- Standard Proprietary PTFE
- Optional Food grade, Anti microbial, FDA 3A

O-Ring Material:

- Standard FKM
- Optional NBR, FDA silicone, EPDM, Aflas[†]



Split Seal Design Also Available

MOUNTING		LUBRICATION		
	Position	Grease	Oil	Dry
Horizontal	Y	Y	Y	Y
Vertical Up	Y	Y	Y	Y
Vertical Down	Y	Y	N	Y

Retain: Grease and oil splash (operating oil level in cavity between seal and bearing must be below inboard oil drain-back port of seal "F")

Exclude: Heavy water spray and dry contaminants from bearing cavity. Excellent for taconite exclusion

Equipment: Drop-in replacement for LER seal. Available as a solid or split seal. Easily interchanged by LER No. and shaft diameter. Contact authorized distributor for complete interchange

SPLIT PILLOW BLOCK BEARING			
HOUSING	SHAFT	LER	PROTECH PART NO.
SAF 211, 209, 212, 309, 311, 513	2-1/4	30	LBE-2250-2823-J64
SAF 210, 310	2-3/8	35	LBE-2375-2948-M07
SAF 213, 313, 515, 615	2-7/16	37	LBE-2438-3188-D96
SAF 213, 313, 515, 615	2-1/2	38	LBE-2500-3188-J61
SAF 211, 311	2-9/16	40	LBE-2563-3198-K90
SAF 215, 312, 314, 516, 616	2-5/8	43	LBE-2625-3563-AI58
SAF 215, 312, 314, 516, 616	2-11/16	44	LBE-2688-3563-D97
SAF 215, 312, 314, 516, 616	2-3/4	45	LBE-2750-3563-R52
SAF 213, 216, 313, 517	2-15/16	53	LBE-2938-3813-B77
SAF 520, 620	3-7/16	102	LBE-3438-4460-C65
SAF 317, 522, 622	3-15/16	109	LBE-3938-4960-D98
SAF 220, 224, 320, 324, 526, 626	4-7/16	117	LBE-4438-5543-D36
SAF 222, 226, 322, 326, 528, 625	4-15/16	122	LBE-4890-5980-E29
SAF 224, 228, 324, 328, 530, 630	5-5/16	127	LBE-5313-6375-C97
SAF 532, 632	5-7/16	130	LBE-5438-6750-E30
SAF 232, 332, 534, 634	5-15/16	140	LBE-5938-7343-E92
SAF 234, 334, 536	6-7/16	148	LBE-6437-7780-E45
SAF 332, 336, 538, 638	6-15/16	224	LBE-6938-8282-K52
SAF 238, 338, 540, 640	7-5/16	228	LBE-7313-8570-G56
SAF 234, 240, 334, 340	7-7/16	161	LBE-7438-8945-D02

[†] Aflas[®] is a registered trademark of Asahi Glass Co.

Flanged Design – LW Standard Operating Parameters

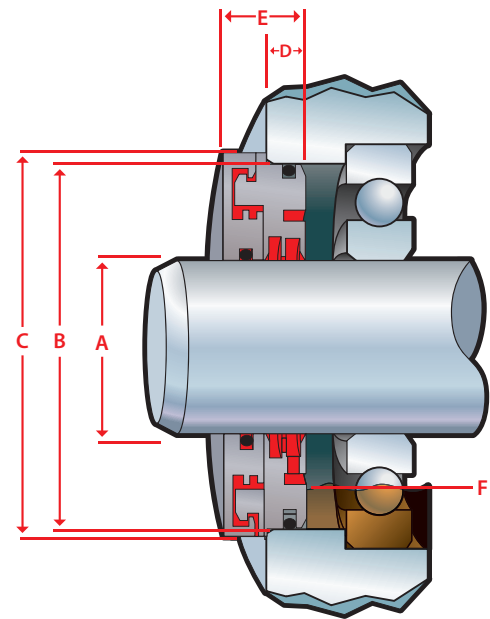
Total Eccentricity: .020" (.51 mm)
 Shaft Speed: Up to 3,000 fpm⁴ (900 mpm)
 Pressure: 0 psi / bar
 Temperature Range: -40 to 250 F (-40 to 121 C)
 Axial Movement: .020" (.51 mm) special designs up to .070" (1.78 mm)
 Shaft / Bore Tolerances: ± .002" (± .05 mm)
 Special designs available

Seal Material:

Standard Proprietary PTFE
 Optional Food grade, Anti microbial, FDA 3A

O-Ring Material:

Standard FKM
 Optional NBR, FDA silicone, EPDM, Aflas[†]



MOUNTING		LUBRICATION		
	Position	Grease	Oil	Dry
Horizontal	Y	Y	Y	Y
Vertical Up	Y*	Y	Y	Y
Vertical Down	Y	Y	N	Y

*Optional "LX" design (w/o drain port) recommended

Retain Grease and oil splash (operating oil level in cavity between seal and bearing must be below inboard oil drain-back port of seal "F")
Exclude Equipment Heavy water spray and dry contaminants from bearing cavity
 Motors, pumps, mixers, gearboxes, blowers and custom equipment.

STANDARD DIMENSIONS					
Type	"A" Shaft Diameter Range Inch	"B" Bore Diameter Range Is Shaft Diameter "A" + Min-Max	"C" Flange Diameter = "B" +	"D" In Bore Depth	"E" Overall Seal Width
LWE ³	0.492 – 1.575	0.394 – 1.575	0.236 ¹	0.276	0.630
LWE ³	1.576 – 2.362	0.472 – 1.575	0.236 ¹	0.315	0.669
LWE ³	2.363 – 3.150	0.630 – 1.575	0.236 ¹	0.354	0.709
LWE	3.151 – 5.118	0.866 – 1.575	0.236	0.354	0.709
LWE	5.119 – 10.000 ²	0.945 – 1.575	0.236	0.433	0.787

Type	"A" Shaft Diameter Range Metric	"B" Bore Diameter Range Is Shaft Diameter "A" + Min-Max	"C" Flange Diameter = "B" +	"D" In Bore Depth	"E" Overall Seal Width
LWM ³	12.5 – 40.0	10.0 – 40.0	6.0 ¹	7.0	16.0
LWM ³	40.1 – 60.0	12.0 – 40.0	6.0 ¹	8.0	17.0
LWM ³	60.1 – 80.0	16.0 – 40.0	6.0 ¹	9.0	18.0
LWM	80.1 – 130.0	22.0 – 40.0	6.0	9.0	18.0
LWM	130.1 – 254.0 ²	24.0 – 40.0	6.0	11.0	20.0

¹ May be larger for small cross sections, consult factory for dimensions
² Contact factory for requirements outside of standard dimensions listed above
³ Shaft diameters under 1.575" (40 mm) & cross sections under .433" (11 mm) have standard inboard oil splash grooves
 Note: Cross Section = (Bore – Shaft) / 2
[†] Aflas[®] is a registered trademark of Asahi Glass Co.

Wash Down Motor Design – WD Standard Operating Parameters

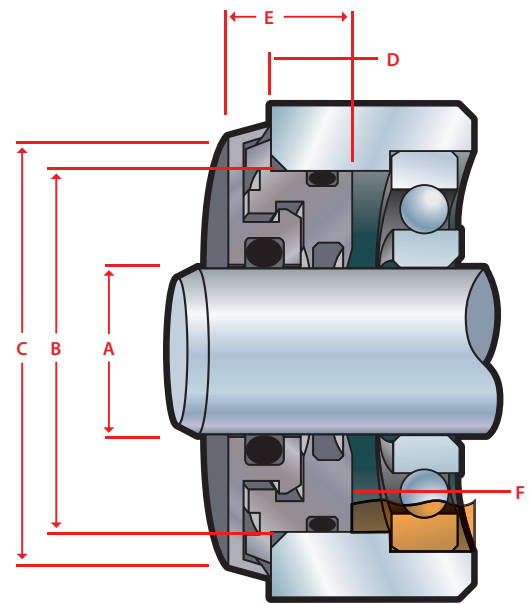
Total Eccentricity: .020" (.51 mm)
 Shaft Speed: Up to 3,000 fpm³ (900 rpm)
 Pressure: 0 psi / bar
 Temperature Range: -40 to 250 F (-40 to 121 C)
 Axial Movement: .020" (.51 mm) special designs up to .070" (1.78 mm)
 Shaft / Bore Tolerances: ± .002" (± .05 mm)
 Special designs available

Seal Material:

Standard Proprietary PTFE
 Optional Food grade, Anti microbial, FDA 3A

O-Ring Material:

Standard FKM
 Optional NBR, FDA silicone, EPDM, Aflas[†]



Anti Microbial Available

MOUNTING		LUBRICATION		
	Position	Grease	Oil	Dry
Horizontal	Y	Y	N	Y
Vertical Up	Y	Y	N	Y
Vertical Down	Y	Y	N	Y

Retain

Grease and oil splash (operating oil level in cavity between seal and bearing must be below inboard oil drain-back port of seal "F")

Exclude Equipment

Heavy water spray and dry contaminants from bearing cavity
 Small disposable motors and equipment for food processing industry; economical seal for 140 and 180 frame motors and other high volume OEM equipment requiring wash down protection where cost to upgrade the seal has been a deterrent

STANDARD DIMENSIONS					
Type	"A" Shaft Diameter Range Inch	"B" Bore Diameter Range Is Shaft Diameter "A" + Min-Max	"C" Flange Diameter = "B" +	"D" In Bore Depth	"E" Overall Seal Width
WDE	0.492 – 1.575	0.551 – 1.575	0.269 ¹	0.248	0.373
WDE	1.576 – 2.362	0.669 – 1.575	0.269 ¹	0.248	0.373
WDE	2.363 – 3.150	0.787 – 1.575	0.269 ¹	0.287	0.412
WDE	3.151 – 5.118	0.866 – 1.575	0.269	0.287	0.412
WDE	5.119 – 10.000 ²	0.945 – 1.575	0.269	0.287	0.412

Type	"A" Shaft Diameter Range Metric	"B" Bore Diameter Range Is Shaft Diameter "A" + Min-Max	"C" Flange Diameter = "B" +	"D" In Bore Depth	"E" Overall Seal Width
WDM	12.5 – 40.0	14.0 – 40.0	6.8 ¹	6.3	9.5
WDM	40.1 – 60.0	17.0 – 40.0	6.8 ¹	6.3	9.5
WDM	60.1 – 80.0	20.0 – 40.0	6.8 ¹	7.3	10.5
WDM	80.1 – 130.0	22.0 – 40.0	6.8	7.3	10.5
WDM	130.1 – 254.0 ²	24.0 – 40.0	6.8	7.3	10.5

¹ May be larger for small cross sections, consult factory for dimensions
² Contact factory for requirements outside of standard dimensions listed above
³ Contact factory for speeds over 3,000 fpm
 Note: Cross Section = (Bore – Shaft) / 2
[†] Aflas[®] is a registered trademark of Asahi Glass Co.

Split Design – SL

Standard Operating Parameters

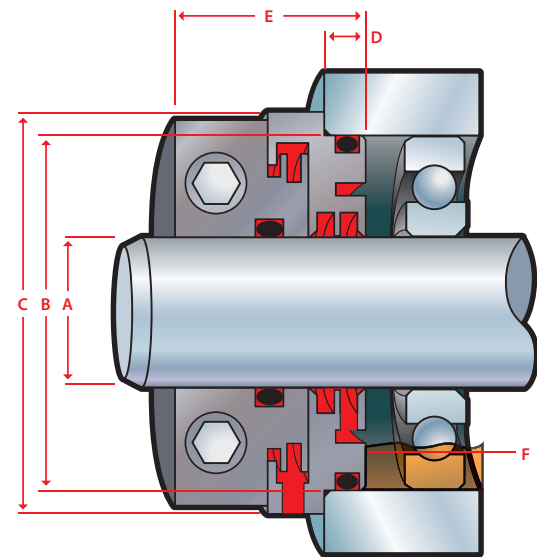
Total Eccentricity: .020" (.51 mm)
 Shaft Speed: Up to 3,000 fpm⁴ (900 mpm)
 Pressure: 0 psi / bar
 Temperature Range: -40 to 250 F (-40 to 121 C)
 Axial Movement: .020" (.51 mm) special designs up to .070" (1.78 mm)
 Shaft / Bore Tolerances: ± .002" (± .05 mm)
 Special designs available

Seal Material:

Standard Proprietary PTFE
 Optional Food grade, Anti microbial, FDA 3A

O-Ring Material:

Standard FKM
 Optional NBR, FDA silicone, EPDM, Aflas[†]



MOUNTING		LUBRICATION		
	Position	Grease	Oil	Dry
Horizontal	Y	Y	Y	Y
Vertical Up	Y	Y	Y	Y
Vertical Down	Y*	Y	N	Y

*Locking collar may be required

Retain Grease and oil splash (operating oil level in cavity between seal and bearing must be below inboard oil drain-back port of seal "F").

Exclude Equipment Heavy water spray and dry contaminants from bearing cavity.

For field retrofits where equipment cannot be uncoupled or disassembled. Requires no wear sleeves or shaft refurbishment. Motors, pumps, mixers, gearboxes, blowers and custom equipment

STANDARD DIMENSIONS					
Type	"A" Shaft Diameter Range Inch	"B" Bore Diameter Range Is Shaft Diameter "A" + Min-Max	"C" Flange Diameter = "B"+	"D" In Bore Depth	"E" Overall Seal Width
SLE ³	0.492 – 1.575	0.394 – 1.575	0.236 ¹	0.276	1.078
SLE ³	1.576 – 2.362	0.472 – 1.575	0.236 ¹	0.315	1.117
SLE ³	2.363 – 3.150	0.551 – 1.575	0.236 ¹	0.354	1.156
SLE	3.151 – 5.118	0.787 – 1.575	0.236 ¹	0.354	1.257
SLE	5.119 – 10.000 ²	0.945 – 1.575	0.236 ¹	0.433	1.436

Type	"A" Shaft Diameter Range Metric	"B" Bore Diameter Range Is Shaft Diameter "A" + Min-Max	"C" Flange Diameter = "B"+	"D" In Bore Depth	"E" Overall Seal Width
SLM ³	12.5 – 40.0	10.0 – 40.0	6.0 ¹	7.0	27.4
SLM ³	40.1 – 60.0	12.0 – 40.0	6.0 ¹	8.0	28.4
SLM ³	60.1 – 80.0	14.0 – 40.0	6.0 ¹	9.0	29.4
SLM	80.1 – 130.0	20.0 – 40.0	6.0 ¹	9.0	31.9
SLM	130.1 – 254.0 ²	24.0 – 40.0	6.0 ¹	11.0	36.5

¹ May be larger for small cross sections, consult factory for dimensions
² Contact factory for requirements outside of standard dimensions listed above
³ Shaft diameters under 1.575" (40 mm) & cross sections under .433" (11 mm) have standard inboard oil splash grooves
⁴ Contact factory for speeds over 3,000 fpm
 Note: Cross Section = (Bore – Shaft) / 2
[†] Aflas[®] is a registered trademark of Asahi Glass Co.

Split Millennium Design – SM Standard Operating Parameters

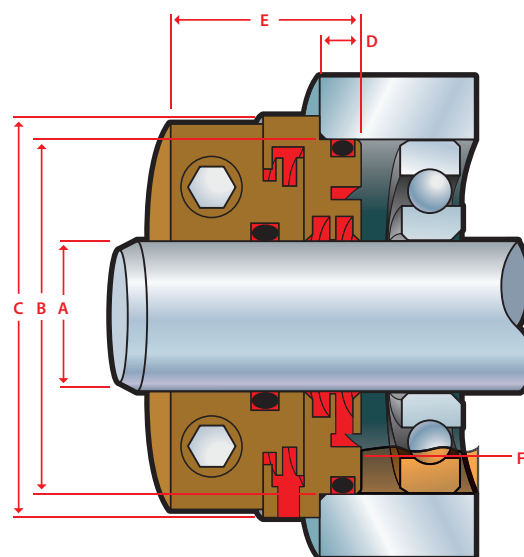
Total Eccentricity: .020" (.51 mm)
 Shaft Speed: Up to 3,000 fpm⁴ (900 mpm)
 Pressure: 0 psi / bar
 Temperature Range: -40 to 250 F (-40 to 121 C)
 Axial Movement: .020" (.51 mm) special designs up to .070" (1.78 mm)
 Shaft / Bore Tolerances: ± .002" (± .05 mm)
 Special designs available

Seal Material:

Standard Bronze
 Optional 302 SS, 304 SS, 316 SS, Carbon Steel

O-Ring Material:

Standard FKM
 Optional NBR, FDA silicone, EPDM, Aflas[†]



Up to 37" Shaft Diameter

MOUNTING		LUBRICATION		
	Position	Grease	Oil	Dry
Horizontal	Y	Y	Y	Y
Vertical Up	Y	Y	Y	Y
Vertical Down	Y*	Y	N	Y

*Locking collar may be required

Retain

Grease and oil splash (operating oil level in cavity between seal and bearing must remain below inboard oil drain-back port of seal "F")

Exclude Equipment

Heavy water spray and dry contaminants from bearing cavity
 For field retrofits where equipment can not be uncoupled or disassembled. Requires no wear sleeves or shaft refurbishment. Motors, pumps, mixers, gearboxes, blowers and custom equipment

STANDARD DIMENSIONS					
Type	"A" Shaft Diameter Range Inch	"B" Bore Diameter Range Is Shaft Diameter "A" + Min-Max	"C" Flange Diameter = "B" +	"D" In Bore Depth	"E" Overall Seal Width
SME ³	0.610 – 1.575	0.709 – 1.575	0.236 ¹	0.276	1.078
SME	1.576 – 2.362	0.709 – 1.575	0.236 ¹	0.315	1.117
SME	2.363 – 3.150	0.709 – 1.575	0.236 ¹	0.354	1.156
SME	3.151 – 5.118	0.787 – 1.575	0.236 ¹	0.354	1.257
SME	5.119 – 10.000 ²	0.945 – 1.575	0.236 ¹	0.433	1.436

Type	"A" Shaft Diameter Range Metric	"B" Bore Diameter Range Is Shaft Diameter "A" + Min-Max	"C" Flange Diameter = "B" +	"D" In Bore Depth	"E" Overall Seal Width
SMM ³	15.5 – 40.0	18.0 – 40.0	6.0 ¹	7.0	27.4
SMM	40.1 – 60.0	18.0 – 40.0	6.0 ¹	8.0	28.4
SMM	60.1 – 80.0	18.0 – 40.0	6.0 ¹	9.0	29.4
SMM	80.1 – 130.0	20.0 – 40.0	6.0 ¹	9.0	31.9
SMM	130.1 – 254.0 ²	24.0 – 40.0	6.0 ¹	11.0	36.5

¹ May be larger for small cross sections, consult factory for dimensions

² Contact factory for requirements outside of standard dimensions listed above

³ Shaft diameters under 1.575" (40 mm) & cross sections under .433" (11 mm) have standard inboard oil splash grooves

⁴ Contact factory for speeds over 3,000 fpm

Note: Cross Section = (Bore – Shaft) / 2

[†] Aflas[®] is a registered trademark of Asahi Glass Co.

Flanged Millennium Design – ML Standard Operating Parameters

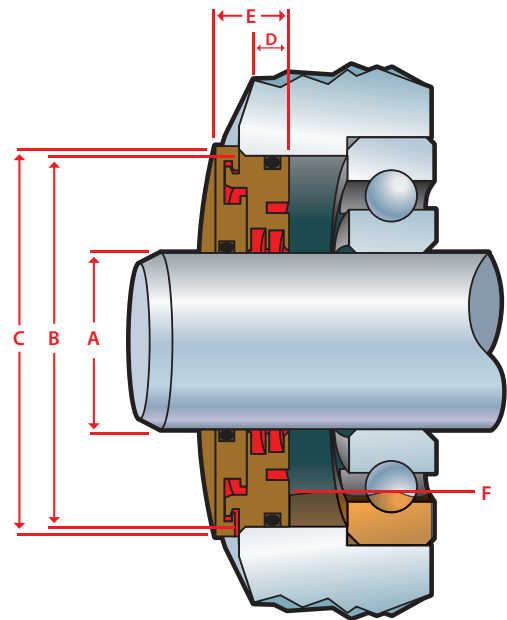
Total Eccentricity: .010" (.25 mm)
 Shaft Speed: Up to 7,000 fpm (2,100 mpm)
 Pressure: 0 psi / bar
 Temperature Range: -40 to 400 F (-40 to +204 C)
 Axial Movement: .010" (.25 mm) special designs up to
 .100" (2.55 mm)
 Shaft / Bore Tolerances: ± .002" (± .05 mm)
 Special designs available

Seal Material:

Standard Bronze
 Optional 302 SS, 304 SS, 316 SS, Carbon steel

O-Ring Material:

Standard FKM
 Optional NBR, FDA silicone, EPDM, Aflas®†



MOUNTING		LUBRICATION		
	Position	Grease	Oil	Dry
Horizontal	Y	Y	Y	Y
Vertical Up	Y*	Y	Y	Y
Vertical Down	Y	Y	N	Y

*Optional "MX" design (w/o drain port) recommended

Retain Grease and oil splash (operating oil level in cavity between seal and bearing must be below inboard oil drain-back port of seal "F")

Exclude Equipment Heavy water spray and dry contaminants from bearing cavity
 Gearboxes, motors, pumps, mixers, turbines, blowers and custom equipment

STANDARD DIMENSIONS					
Type	"A" Shaft Diameter Range Inch	"B" Bore Diameter Range Is Shaft Diameter "A" + Min-Max	"C" Flange Diameter = "B"+	"D" In Bore Depth	"E" Overall Seal Width
MLE ³	0.610 – 1.575	0.394 – 1.575	0.236 ¹	0.276	0.551
MLE ³	1.576 – 2.362	0.472 – 1.575	0.236 ¹	0.315	0.591
MLE ³	2.363 – 3.150	0.630 – 1.575	0.236	0.354	0.630
MLE	3.151 – 5.118	0.866 – 1.575	0.236	0.354	0.630
MLE	5.119 – 6.000 ²	0.945 – 1.575	0.236	0.433	0.709

Type	"A" Shaft Diameter Range Metric	"B" Bore Diameter Range Is Shaft Diameter "A" + Min-Max	"C" Flange Diameter = "B"+	"D" In Bore Depth	"E" Overall Seal Width
MLM ³	15.5 – 40.0	10.0 – 40.0	6.0 ¹	7.0	14.0
MLM ³	40.1 – 60.0	12.0 – 40.0	6.0 ¹	8.0	15.0
MLM ³	60.1 – 80.0	16.0 – 40.0	6.0	9.0	16.0
MLM	80.1 – 130.0	22.0 – 40.0	6.0	9.0	16.0
MLM	130.1 – 152.4 ²	24.0 – 40.0	6.0	11.0	18.0

¹ May be larger for small cross sections, consult factory for dimensions
² Contact factory for requirements outside of standard dimensions listed above
³ Shaft diameters under 1.575" (40 mm) & cross sections under .433" (11mm) have standard inboard oil splash grooves
 Note: Cross Section = (Bore – Shaft) / 2
 † Aflas® is a registered trademark of Asahi Glass Co.

Flush Mount Millennium Design – MN Standard Operating Parameters

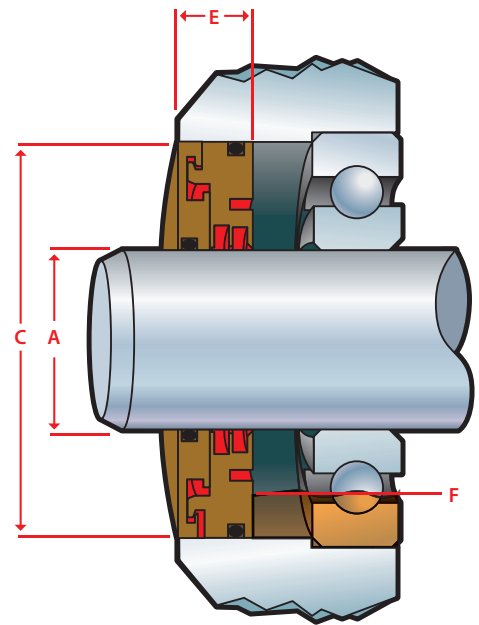
- Total Eccentricity: .010" (.25 mm)
- Shaft Speed: Up to 7,000 fpm (2,100 mpm)
- Pressure: 0 psi / bar
- Temperature Range: -40 to 400 F (-40 to +204 C)
- Axial Movement: .010" (.25 mm) special designs up to .100" (2.55 mm)
- Shaft / Bore Tolerances: ± .002" (± .05 mm)
 Special designs available

Seal Material:

- Standard Bronze
- Optional 302 SS, 304 SS, 316 SS, Carbon Steel

O-Ring Material:

- Standard FKM
- Optional NBR, FDA silicone, EPDM, Aflas®†



MOUNTING		LUBRICATION		
	Position	Grease	Oil	Dry
Horizontal	Y	Y	Y	Y
Vertical Up	NR*	Y	Y	Y
Vertical Down	Y	Y	N	Y

*Not Recommended (NR) If contaminant level is heavy see "ML" design (page 16)

Retain: Grease and oil splash (operating oil level in cavity between seal and bearing must be below inboard oil drain-back port of seal "F")

Exclude: Heavy water spray and dry contaminants from bearing cavity

Equipment: Gearboxes, motors, pumps, mixers, turbines, blowers and custom equipment

STANDARD DIMENSIONS			
Type	"A" Shaft Diameter Range Inch	"B" Bore Diameter Range Is Shaft Diameter "A" + Min-Max	"E" In Bore Depth
MNE ²	0.610 – 1.575	0.748 – 1.575	0.551
MNE ²	1.576 – 2.362	0.748 – 1.575	0.591
MNE ²	2.363 – 3.150	0.748 – 1.575	0.630
MNE	3.151 – 5.118	0.866 – 1.575	0.630
MNE	5.119 – 6.000 ¹	0.945 – 1.575	0.709

Type	"A" Shaft Diameter Range Metric	"B" Bore Diameter Range Is Shaft Diameter "A" + Min-Max	"E" In Bore Depth
MNM ²	15.5 – 40.0	19.0 – 40.0	14.0
MNM ²	40.1 – 60.0	19.0 – 40.0	15.0
MNM ²	60.1 – 80.0	19.0 – 40.0	16.0
MNM	80.1 – 130.0	22.0 – 40.0	16.0
MNM	130.1 – 152.4 ¹	24.0 – 40.0	18.0

¹ Contact factory for requirements outside of standard dimensions listed above

² Shaft diameters under 1.575" (40 mm) & cross sections under .433" (11 mm) have standard inboard oil splash grooves

Note: Cross Section = (Bore – Shaft) / 2

† Aflas® is a registered trademark of Asahi Glass Co.

Flanged Flooded Design – FS-360 Standard Operating Parameters

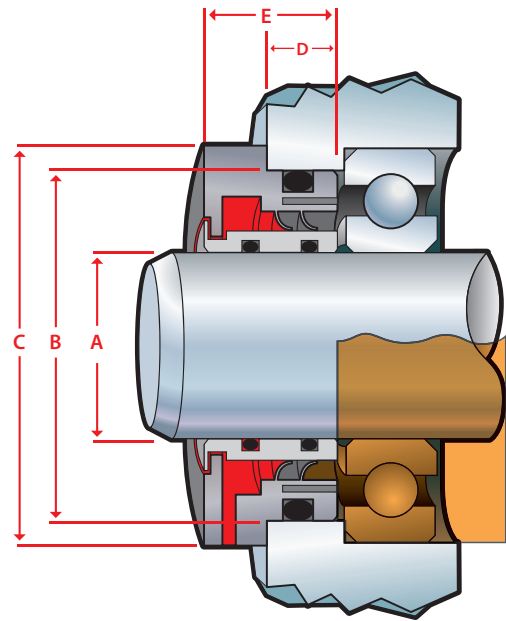
Total Eccentricity: .010" (.25 mm)
 Shaft Speed: Up to 5,000 fpm¹ (1,500 rpm)
 Pressure: 5 psi (.344 bar)
 Temperature Range: -40 to 250 F (-40 to 121 C)
 Axial Movement: .003" (.08mm)
 Shaft / Bore Tolerances: ± .002" (± .05 mm)
 Special designs available

Seal Material:

Standard Proprietary PTFE and SS Sleeve
 Optional Food grade PTFE and SS Sleeve
 Anti microbial PTFE and SS Sleeve
 FDA 3A PTFE and SS Sleeve

O-Ring Material:

Standard FKM
 Optional NBR, FDA silicone, EPDM, Aflas[†]



MOUNTING		LUBRICATION		
	Position	Grease	Oil	Dry
Horizontal	Y	Y	Y	Y
Vertical Up	Y*	Y	Y	Y
Vertical Down	Y	Y	Y	Y

*For Vertical Up, contact factory if contaminant level is high

Retain Exclude Equipment

Grease, oil splash, oil mist or oil flooded
 Heavy water spray and dry contaminants from bearing cavity
 Ideal for equipment used in food processing or subjected to frequent wash down where positive oil retention is required. Flooded oil or severe splash retention for gearboxes, motors, pumps, mixers, cooling towers, aerators and custom equipment

STANDARD DIMENSIONS					
Type	"A" Shaft Diameter Range Inch	"B" Bore Diameter Range Is Shaft Diameter "A" + Min-Max	"C" Flange Diameter = "B" +	"D" In Bore Depth	"E" Overall Seal Width
FSE	0.500 – 3.000	0.750 – 1.500	0.250	0.313	0.688
FSE	3.001 – 6.000	0.750 – 1.500	0.250	0.375	0.750
FSE	6.001 – 10.000	0.874 – 1.500	0.250	0.438	0.813

Type	"A" Shaft Diameter Range Metric	"B" Bore Diameter Range Is Shaft Diameter "A" + Min-Max	"C" Flange Diameter = "B" +	"D" In Bore Depth	"E" Overall Seal Width
FSM	13.0 – 76.0	19.0 – 40.0	6.0	8.0	17.0
FSM	76.1 – 152.0	19.0 – 40.0	6.0	9.0	18.0
FSM	152.1 – 250.0 ²	24.0 – 40.0	6.0	11.0	20.0

¹ Contact factory for speeds over 3,000 fpm

² Contact factory for requirements outside of standard dimensions listed above

Note: Cross Section = (Bore – Shaft) / 2

[†] Aflas[®] is a registered trademark of Asahi Glass Co.

Flush Mount Flooded Design – FN-360 Standard Operating Parameters

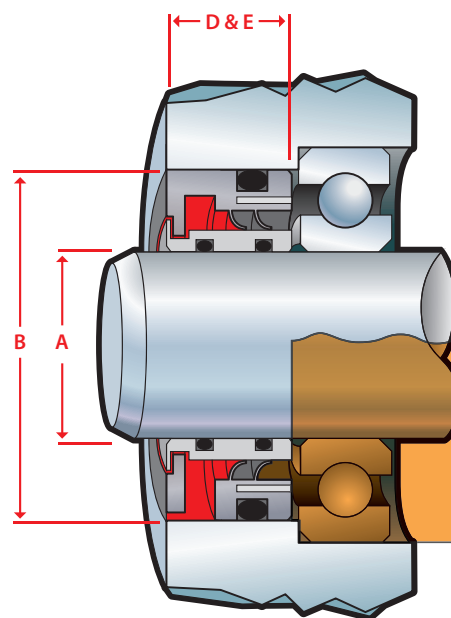
Total Eccentricity: .010" (.25 mm)
 Shaft Speed: Up to 5,000 fpm¹ (1,500 rpm)
 Pressure: 5 psi (.344)
 Temperature Range: -40 to 250 F (-40 to +121 C)
 Axial Movement: .003" (.08mm)
 Shaft / Bore Tolerances: ± .002" (± .05 mm)
 Special designs available

Seal Material:

Standard Proprietary PTFE and SS Sleeve
 Optional Food Grade PTFE and SS Sleeve
 Anti Microbial PTFE and SS Sleeve
 FDA 3A PTFE and SS Sleeve

O-Ring Material:

Standard FKM
 Optional NBR, FDA silicone, EPDM, Aflas^{®†}



MOUNTING		LUBRICATION		
	Position	Grease	Oil	Dry
Horizontal	Y	Y	Y	Y
Vertical Up	Y*	Y	Y	Y
Vertical Down	Y	Y	Y	Y

*For Vertical Up, contact factory if contaminant level is high

Retain: Grease, oil splash, oil mist or oil flooded
Exclude: Heavy water spray and dry contaminants from bearing cavity
Equipment: Ideal for equipment used in food processing or subjected to frequent wash down where positive oil retention is required. Flooded oil or severe splash retention for gearboxes, motors, pumps, mixers, cooling towers, aerators and custom equipment

STANDARD DIMENSIONS			
Type	"A" Shaft Diameter Range Inch	"B" Bore Diameter Range Is Shaft Diameter "A" + Min-Max	"C" In Bore Depth
FNE	0.500 – 3.000	0.750 – 1.500	0.591
FNE	3.001 – 6.000	0.750 – 1.500	0.591
FNE	6.001 – 10.000	0.874 – 1.500	0.630

Type	"A" Shaft Diameter Range Metric	"B" Bore Diameter Range Is Shaft Diameter "A" + Min-Max	"C" In Bore Depth
FNM	12.7 – 76.2	19.0 – 40.0	15.0
FNM	76.3 – 152.4	19.0 – 40.0	15.0
FNM	152.5 – 254.0 ²	22.2 – 40.0	16.0

¹ Contact factory for speeds over 3,000 fpm
² Contact factory for requirements outside of standard dimensions listed above
 Note: Cross Section = (Bore – Shaft) / 2
[†] Aflas[®] is a registered trademark of Asahi Glass Co.

PROTECH STANDARD LISTING - INCH STANDARDS									
DESIGN TYPE	SHAFT DIA. RANGE		BORE DIAMETER (add to shaft diameter)		IN BORE DEPTH	OVERALL WIDTH	CROSS SECTION		FLANGE DIA. (Bore Dia. +)
	Min.	Max.	Min.	Max.			Min.	Max.	
LSE	0.500	3.000	0.626	1.500	0.313	0.688	0.313	0.750	0.250
LSE	3.001	4.000	0.626	1.500	0.375	0.750	0.313	0.750	0.250
LSE	4.001	6.000	0.874	1.500	0.375	0.750	0.437	0.750	0.250
LSE	6.001	10.000	0.874	1.500	0.438	0.815	0.437	0.750	0.250
LWE	0.492	1.575	0.394	1.575	0.276	0.630	0.197	0.788	0.236
LWE	1.576	2.362	0.472	1.575	0.315	0.669	0.236	0.788	0.236
LWE	2.363	3.150	0.630	1.575	0.354	0.709	0.315	0.788	0.236
LWE	3.151	5.118	0.866	1.575	0.354	0.709	0.433	0.788	0.236
LWE	5.119	10.000	0.945	1.575	0.433	0.787	0.473	0.788	0.236
LNE	0.500	4.000	0.750	1.500	0.562	0.562	0.375	0.750	NA
LNE	4.001	10.000	0.874	1.500	0.625	0.625	0.437	0.750	NA
SLE	0.492	1.575	0.394	1.575	0.276	1.078	0.197	0.750	0.236
SLE	1.576	2.362	0.472	1.575	0.315	1.117	0.236	0.788	0.236
SLE	2.363	3.150	0.551	1.575	0.354	1.156	0.276	0.788	0.236
SLE	3.151	5.118	0.787	1.575	0.354	1.257	0.394	0.788	0.236
SLE	5.119	10.000	0.945	1.575	0.433	1.436	0.473	0.788	0.236
SME	0.610	1.575	0.709	1.575	0.276	1.078	0.355	0.788	0.236
SME	1.576	2.362	0.709	1.575	0.315	1.117	0.355	0.788	0.236
SME	2.363	3.150	0.709	1.575	0.354	1.156	0.355	0.788	0.236
SME	3.151	5.118	0.787	1.575	0.354	1.257	0.394	0.788	0.236
SME	5.119	10.000	0.945	1.575	0.433	1.436	0.473	0.788	0.236
MLE	0.610	1.575	0.394	1.575	0.276	0.551	0.197	0.788	0.236
MLE	1.576	2.362	0.472	1.575	0.315	0.591	0.236	0.788	0.236
MLE	2.363	3.150	0.630	1.575	0.354	0.630	0.315	0.788	0.236
MLE	3.151	5.118	0.866	1.575	0.354	0.630	0.433	0.788	0.236
MLE	5.119	6.000	0.945	1.575	0.433	0.709	0.473	0.788	0.236
MNE	0.610	1.575	0.748	1.575	0.551	0.551	0.374	0.788	NA
MNE	1.576	2.362	0.748	1.575	0.591	0.591	0.374	0.788	NA
MNE	2.363	3.150	0.748	1.575	0.630	0.630	0.374	0.788	NA
MNE	3.151	5.118	0.866	1.575	0.630	0.630	0.433	0.788	NA
MNE	5.119	6.000	0.945	1.575	0.709	0.709	0.473	0.788	NA
FSE	0.500	3.000	0.750	1.500	0.313	0.688	0.375	0.750	0.250
FSE	3.001	6.000	0.750	1.500	0.375	0.750	0.375	0.750	0.250
FSE	6.001	10.000	0.874	1.500	0.438	0.813	0.437	0.750	0.250
FNE	0.500	3.000	0.750	1.500	0.591	0.591	0.375	0.750	NA
FNE	3.001	6.000	0.750	1.500	0.591	0.591	0.375	0.750	NA
FNE	6.001	10.000	0.874	1.500	0.630	0.630	0.437	0.750	NA
WDE	0.492	1.575	0.551	1.575	0.248	0.373	0.273	0.788	0.269
WDE	1.576	2.362	0.669	1.575	0.248	0.373	0.335	0.788	0.269
WDE	2.363	3.150	0.787	1.575	0.287	0.412	0.394	0.788	0.269
WDE	3.151	5.118	0.866	1.575	0.287	0.412	0.433	0.788	0.269
WDE	5.119	10.000	0.945	1.575	0.287	0.412	0.473	0.788	0.269

Note: Cross Section = (Bore – Shaft) / 2 • CALL FOR SIZES NOT LISTED ABOVE. 1-800-233-3900

PROTECH STANDARD LISTING – METRIC STANDARDS									
DESIGN TYPE	SHAFT DIA. RANGE		BORE DIAMETER (add to shaft diameter)		IN BORE DEPTH	OVERALL WIDTH	CROSS SECTION		FLANGE DIA. (Bore Dia. +)
	Min.	Max.	Min.	Max.			Min.	Max.	
LSM	12.0	40.0	10.0	40.0	7.0	16.0	5.0	20.0	6.0
LSM	40.1	60.0	12.0	40.0	8.0	17.0	6.0	20.0	6.0
LSM	60.1	80.0	15.0	40.0	9.0	18.0	7.5	20.0	6.0
LSM	80.1	130.0	20.0	40.0	9.0	18.0	10.0	20.0	6.0
LSM	130.1	254.0	24.0	40.0	11.0	20.0	12.0	20.0	6.0
LWM	12.5	40.0	10.0	40.0	7.0	16.0	5.0	20.0	6.0
LWM	40.1	60.0	12.0	40.0	8.0	17.0	6.0	2.0	6.0
LWM	60.1	80.0	16.0	40.0	9.0	18.0	8.0	20.0	6.0
LWM	80.1	130.0	22.0	40.0	9.0	18.0	11.0	20.0	6.0
LWM	130.1	254.0	24.0	40.0	11.0	20.0	12.0	20.0	6.0
LNM	12.0	80.0	14.0	40.0	10.0	10.0	7.0	20.0	NA
LNM	80.1	130.0	16.0	40.0	12.0	12.0	8.0	20.0	NA
LNM	130.1	250.0	18.0	40.0	15.0	15.0	9.0	20.0	NA
SLM	12.5	40.0	10.0	40.0	7.0	27.4	5.0	20.0	6.0
SLM	40.1	60.0	12.0	40.0	8.0	28.4	6.0	20.0	6.0
SLM	60.1	80.0	14.0	40.0	9.0	29.4	7.0	20.0	6.0
SLM	80.1	130.0	20.0	40.0	9.0	31.9	10.0	20.0	6.0
SLM	130.1	254.0	24.0	40.0	11.0	36.5	12.0	20.0	6.0
SMM	15.5	40.0	18.0	40.0	7.0	27.4	9.0	20.0	6.0
SMM	40.1	60.0	18.0	40.0	8.0	28.4	9.0	20.0	6.0
SMM	60.1	80.0	18.0	40.0	9.0	29.4	9.0	20.0	6.0
SMM	80.1	130.0	20.0	40.0	9.0	31.9	10.0	20.0	6.0
SMM	130.1	254.0	24.0	40.0	11.0	36.5	12.0	20.0	6.0
MLM	15.5	40.0	10.0	40.0	7.0	14.0	5.0	20.0	6.0
MLM	40.1	60.0	12.0	40.0	8.0	15.0	6.0	20.0	6.0
MLM	60.1	80.0	16.0	40.0	9.0	16.0	8.0	20.0	6.0
MLM	80.1	130.0	22.0	40.0	9.0	16.0	11.0	20.0	6.0
MLM	130.1	152.4	24.0	40.0	11.0	18.0	12.0	20.0	6.0
MNM	15.5	40.0	19.0	40.0	14.0	14.0	9.5	20.0	NA
MNM	40.1	60.0	19.0	40.0	15.0	15.0	9.5	20.0	NA
MNM	60.1	80.0	19.0	40.0	16.0	16.0	9.5	20.0	NA
MNM	80.1	130.0	22.0	40.0	16.0	16.0	11.0	20.0	NA
MNM	130.1	152.4	24.0	40.0	18.0	18.0	12.0	20.0	NA
FSM	13.0	76.0	19.0	40.0	8.0	17.0	9.5	20.0	6.0
FSM	76.1	152.0	19.0	40.0	9.0	18.0	9.5	20.0	6.0
FSM	152.1	250.0	24.0	40.0	11.0	20.0	12.0	20.0	6.0
FNM	12.7	76.2	19.0	40.0	15.0	15.0	9.5	20.0	NA
FNM	76.3	152.4	19.0	40.0	15.0	15.0	9.5	20.0	NA
FNM	152.5	254.0	22.2	40.0	16.0	16.0	11.1	20.0	NA
WDM	12.5	40.0	14.0	40.0	6.3	9.5	7.0	20.0	6.8
WDM	40.1	60.0	17.0	40.0	6.3	9.5	8.5	20.0	6.8
WDM	60.1	80.0	20.0	40.0	7.3	10.5	10.0	20.0	6.8
WDM	80.1	130.0	22.0	40.0	7.3	10.5	11.0	20.0	6.8
WDM	130.1	254.0	24.0	40.0	7.3	10.5	12.0	20.0	6.8

Note: Cross Section = (Bore – Shaft) / 2 • CALL FOR SIZES NOT LISTED ABOVE. 1-800-233-3900



Quick Interchange

GOULDS PUMP	Location	ProTech Part No.
3138 S	INBOARD	LSE-2125-3000-1-1
3139 S	INBOARD	LSE-2125-3000-1-1
3145 S	OUTBOARD	LSE-2375-3250-1-1
3171 L	OUTBOARD	LPE-1875-5000-B67
3171 M	OUTBOARD	LSE-1375-3625-B66
3171 S	OUTBOARD	LPE-0875-2750-B79
3175 L	OUTBOARD	LSE-4125-5250-5-1
	INBOARD	LSE-4313-5500-5-1
3175 M	OUTBOARD	LSE-3125-4125-1-1
	INBOARD	LSE-3313-4125-1-1
3175 S	OUTBOARD	LSE-2375-3250-1-1
	INBOARD	LSE-2500-3250-1-1
3175 XL	OUTBOARD	LPE-4313-5500-C05
	INBOARD	LSE-5000-6250-5-1
3180 L	OUTBOARD/INBOARD	LSM-0700-0950-1-1
3180 M	OUTBOARD	LSM-0480-0700-1-1
3180 S	OUTBOARD	LSM-0480-0700-1-1
	INBOARD	LSM-0550-0800-1-1
3180 XL	OUTBOARD	LSM-0850-1100-1-1
3185 L	INBOARD	LSM-0700-0950-1-1
3185 M	OUTBOARD	LSM-0600-0850-1-1
3185 S	OUTBOARD	LSM-0480-0700-1-1
	INBOARD	LSM-0550-0800-1-1
3185 XL	OUTBOARD	LSM-0850-1100-1-1
3196 LT/LTC/LTX	OUTBOARD	LSE-1875-2750-1-1
	INBOARD	LSE-2125-2875-1-1
3196 MT/MTX	OUTBOARD	LSE-1125-5000-1-1
	INBOARD	LSE-1752-2875-1-1
3196 ST/STX	OUTBOARD	LPE-0875-1250-B48
	INBOARD	LPE-1375-2835-B47
3196 XLT/XTX	OUTBOARD	LSE-2375-3250-1-1
	INBOARD	LSE-2500-3250-1-1
3316 L	INBOARD	LSE-1937-3000-1-1
	OUTBOARD	LSE-2062-3000-1-1
3316 M	OUTBOARD	LSE-1375-2125-1-1
	INBOARD	LSE-1437-2250-1-1
3316 S	INBOARD	LPE-1063-1643-F08
	OUTBOARD	LSE-0937-1500-1-1
3410 L	OUTBOARD	LPE-2187-3000-1-1
	INBOARD	LPE-2125-3000-1-1
3410 M	OUTBOARD	LPE-1500-2125-Q57
	INBOARD	LPE-1375-2125-Q58
3410 S	OUTBOARD	LPE-1500-2125-Q57
	INBOARD	LPE-1375-2125-Q58
3996 M	OUTBOARD	LPE-1750-2875-B49
	INBOARD	LPE-1250-2000-B50
3996 S	OUTBOARD	LPE-0875-1250-B48
	INBOARD	LPE-1375-1875-C56
	INBOARD	LPE-1375-2125-B63

DURCO PUMP	Location	ProTech Part No.
MK II GRP I	OUTBOARD	LSE-0875-1625-1-1
	INBOARD	LPE-1125-2441-C70
MK II GRP II	OUTBOARD	LSE-1125-2000-1-1
	INBOARD	LSE-1875-2625-1-1
MK II GRP III	OUTBOARD	LSE-2625-3675-1-1
	INBOARD	LSE-2625-3625-1-1
MK III GRP I	OUTBOARD	LDE-0875-1625-1-1
	INBOARD	LDE-1375-2835-1-1
MK III GRP II	OUTBOARD	LDE-1125-2000-1-1
	INBOARD	LDE-1875-2625-1-1
MK III GRP III	OUTBOARD	LSE-1625-3675-1-1
	INBOARD	LDE-1625-3675-1-1

ITT-AC PUMP	Location	ProTech Part No.
CSO, F4A1	INBOARD	LSE-1000-1750-1-1
	OUTBOARD	LSE-1000-1750-1-1
CSO, F4B2	INBOARD	LSE-1750-2375-1-1
	OUTBOARD	LSE-1125-1750-1-1
CSO, F4B3	INBOARD	LSE-1750-2372-1-1
	OUTBOARD	LSE-1125-1750-1-1
CSO, F4D1	INBOARD	LPE-2125-2875-F73
	OUTBOARD	LSE-1250-2000-1-1
PWO, F8B1	INBOARD	LSE-3250-4000-1-1
	OUTBOARD	LSE-2750-3500-1-1
PWO, F8B2	INBOARD	LSE-3250-4000-1-1
	OUTBOARD	LSE-2750-3500-1-1
PWO, F8B4	INBOARD	LSE-3250-4000-1-1
	OUTBOARD	LSE-2750-3500-1-1
PWO, F8M1	INBOARD	LSE-3250-4000-1-1
	OUTBOARD	LSE-2750-3500-1-1
PWO, F9B1	INBOARD	LSE-3250-4000-1-1
	OUTBOARD	LSE-2750-3500-1-1
PWO, F9M1	INBOARD	LSE-3250-4000-1-1
	OUTBOARD	LSE-2750-3500-1-1
PWO, F8C1	INBOARD	LSE-4500-5500-5-1
	OUTBOARD	LSE-3750-4750-1-1

WARREN PUMP	Location	ProTech Part No.
8 MARK I	INBOARD	LSE-2875-4125-1-1
	OUTBOARD	LSE-2000-3125-1-1
11 MARK I	INBOARD	LSE-4500-5250-5-1
	OUTBOARD	LSE-3500-4375-1-1
11 MARK II	INBOARD	LSE-5000-6000-5-1
	OUTBOARD	LSE-3500-4375-1-1
125 MARK I	INBOARD	LPE-5250-6500-5-1
	OUTBOARD	LSE-4000-5375-5-1
125 MARK II	INBOARD	LSE-5875-7125-5-1
	OUTBOARD	LSE-4000-5375-5-1
138 MARK II	INBOARD	LSE-6250-7750-H19
	OUTBOARD	LSE-4500-6000-5-1

Call factory for complete pump list • Call factory for electric motor interchanges

ProTech Design Data Sheet

"A" Shaft Dia. _____ Shaft Dia. "B" _____

"C" Bore Dia, _____ Bore Depth "D" _____

"E" Distance to 1st Obstruction _____

"F" Distance from housing to step _____

SHAFT SPEED _____ RPM _____ FPM

Date: _____
 Company: _____
 Contact: _____
 Phone: _____
 FAX: _____
 E-mail: _____

FDA Material Required: NO YES Lubricant: Oil Grease Dry Running

SHAFT MOVEMENT	SHAFT POSITION	LUBRICATION SYSTEM
<input type="checkbox"/> Rotates	<input type="checkbox"/> Horizontal	<input type="checkbox"/> Splash, oil level at/below centerline of bearing roller
<input type="checkbox"/> Oscillates	<input type="checkbox"/> Vertical Up	<input type="checkbox"/> Flooded, oil level above shaft
<input type="checkbox"/> Reciprocates	<input type="checkbox"/> Vertical Down	<input type="checkbox"/> Oil Mist
<input type="checkbox"/> Static		<input type="checkbox"/> Grease with purge system

Media Sealed Out _____

- | | |
|---|---|
| <input type="checkbox"/> Dry, Moderate Dust | <input type="checkbox"/> Wet, Light Spray |
| <input type="checkbox"/> Dry, Heavy Dust | <input type="checkbox"/> Wet, Heavy Spray |

Internal Pressure:

- No Yes, _____ (psi)

Minimum Temperature _____

Average Temperature _____

Maximum Temperature _____

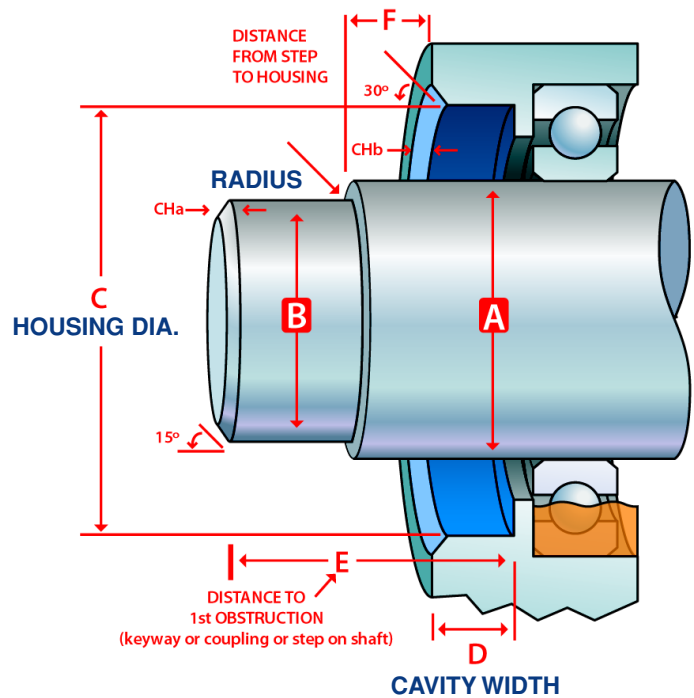
Shaft Axial Movement _____

Shaft to Bore Misalignment _____

Equipment Type _____

Manufacturer _____

Model _____



Return Completed Form to Parker
 Electronic form available at www.parker.com/eps/pdds.pdf • Fax: 936-560-8998

About Parker Hannifin Corporation

Parker Hannifin is a leading global motion-control company dedicated to delivering premier customer service. Our components and systems comprise over 1,400 product lines that control motion in some 1,000 industrial and aerospace markets.

Parker's Charter

To be a leading worldwide manufacturer of components and systems for the builders and users of durable goods. More specifically, we will design, market and manufacture products controlling motion, flow and pressure. We will achieve profitable growth through premier customer service.

About Engineered Polymer Systems Division

Parker's EPS Division designs and manufactures engineered elastomeric, polymeric and plastic seals and sealing systems for dynamic applications. EPS Division has a worldwide sealing network consisting of manufacturing locations in Utah, Texas, New York, Illinois, and Baja, Mexico; and more than 200 distributor and service center locations in nine countries.

Product Information

For general product information or the location of a nearby distributor, call Parker's Product Information Center at our toll-free number: 1-800-C-PARKER (1-800-272-7535). For technical service and customer service inquiries on Parker's ProTech Bearing Isolators, contact Parker EPS Division at: 1-800-233-3900. Additional information is available online at: www.parkerseals.com.

The Aerospace Group

is a leader in the development, design, manufacture and servicing of control systems and components for aerospace and related high-technology markets, while achieving growth through premier customer service.



The Climate & Industrial Controls Group

designs, manufactures and markets system-control and fluid-handling components and systems to refrigeration, air-conditioning and industrial customers worldwide.

The Fluid Connectors Group

designs, manufactures and markets rigid and flexible connectors, and associated products used in pneumatic and fluid systems.



The Seal Group

designs, manufactures and distributes industrial and commercial sealing devices and related products by providing superior quality and total customer satisfaction.

The Hydraulics Group

designs, produces and markets a full spectrum of hydraulic components and systems to builders and users of industrial and mobile machinery and equipment.



The Filtration Group

designs, manufactures and markets quality filtration and clarification products, providing customers with the best value, quality, technical support, and global availability.

The Automation Group

is a leading supplier of pneumatic and electromechanical components and systems to automation customers worldwide.



The Instrumentation Group

is a global leader in the design, manufacture and distribution of high quality critical flow components for worldwide process instrumentation, ultra-high-purity, medical and analytical applications.



OFFER OF SALE

The items described in this document are hereby offered for sale at prices to be established by Parker Hannifin Corporation, its subsidiaries and its authorized distributors. This offer and its acceptance by any customer ("Buyer") shall be governed by all of the following Terms and Conditions. Buyer's order for any item described in its document, when communicated to Parker Hannifin Corporation, its subsidiary or any authorized distributor ("Seller") verbally or in writing, shall constitute acceptance of this offer.

1. Terms and Conditions of Sale: All descriptions, quotations, proposals, offers, acknowledgments, acceptance and sales of Seller's products are subject to and shall be governed exclusively by the terms and conditions stated herein. Buyer's acceptance of any offer to sell is limited to these terms and conditions. Any terms or conditions in addition to, or inconsistent with those stated herein, proposed by Buyer in any acceptance of an offer by Seller, are hereby objected to. No such additional, different or inconsistent terms and conditions shall become part of the contract between Buyer and Seller unless expressly accepted in writing by Seller. Seller's acceptance of any offer to purchase by Buyer is expressly conditional upon Buyer's assent to all the terms and conditions stated herein, including any terms in addition to, or inconsistent with those contained in Buyer's offer. Acceptance of Seller's products shall in all events constitute such assent.

2. Payment: Payment shall be made by Buyer net 30 days from the day of invoice of the items purchased hereunder. Parker reserves the right to charge interest on all past due amounts. Any claims by Buyer for omissions or shortages in a shipment shall be waived unless Seller receives notice thereof within 30 days after Buyer's receipt of the shipment.

3. Delivery: Unless otherwise provided in the face hereof, delivery shall be made F.O.B. Seller's plant. Regardless of the method of delivery, however, risk of loss shall pass to Buyer upon Seller's delivery to a carrier. Any delivery dates shown are approximate only and Seller shall have no liability for any delays in delivery.

4. Warranty: Seller warrants that the items sold hereunder shall be free from defects in material or workmanship at the time of delivery. THIS WARRANTY COMPRISES THE SOLE AND ENTIRE WARRANTY PERTAINING TO ITEMS PROVIDED HEREUNDER. SELLER MAKES NO OTHER WARRANTY, GUARANTEE, OR REPRESENTATION OF ANY KIND WHATSOEVER. ALL OTHER WARRANTIES, INCLUDING, BUT NOT LIMITED TO, MERCHANTABILITY AND FITNESS FOR PURPOSE, WHETHER EXPRESS, IMPLIED OR ARISING BY OPERATION OF LAW, TRADE USAGE, OR COURSE OF DEALING ARE HEREBY DISCLAIMED. NOTWITHSTANDING THE FOREGOING, THERE ARE NO WARRANTIES WHATSOEVER ON ITEMS BUILT OR ACQUIRED WHOLLY OR PARTIALLY, TO BUYER'S DESIGNS OR SPECIFICATIONS.

5. Limitation Of Remedy: SELLER'S LIABILITY ARISING FROM OR IN ANY WAY CONNECTED WITH THE ITEMS SOLD OR THIS CONTRACT SHALL BE LIMITED EXCLUSIVELY TO REPAIR OR REPLACEMENT OF THE ITEMS SOLD OR REFUND OF THE PURCHASE PRICE PAID BY BUYER, AT SELLER'S SOLE OPTION, IN NO EVENT SHALL SELLER BE LIABLE FOR ANY INCIDENTAL, CONSEQUENTIAL OR SPECIAL DAMAGES OF ANY KIND OR NATURE WHATSOEVER, INCLUDING, BUT NOT LIMITED TO LOST PROFITS ARISING FROM OR IN ANY WAY CONNECTED WITH THIS AGREEMENT OR ITEMS SOLD HEREUNDER, WHETHER ALLEGED TO ARISE FROM BREACH OF CONTRACT, EXPRESS OR IMPLIED WARRANTY, OR IN TORT, INCLUDING WITHOUT LIMITATION, NEGLIGENCE, FAILURE TO WARN OR STRICT LIABILITY.

6. Changes, Reschedules and Cancellations: Buyer may request to modify the designs or specifications for the items sold hereunder as well as the quantities and delivery dates thereof, or may request to cancel all or part of this order, however, no such requested modification or cancellation shall become part of the contract between Buyer and Seller unless accepted by Seller in a written amendment to this Agreement. Acceptance of any such requested modification or cancellation shall be at Seller's discretion, and shall be upon such terms and conditions as Seller may require.

7. Special Tooling: A tooling charge may be imposed for any special tooling, including without limitation, dies, fixtures, molds and patterns, acquired to manufacture items sold pursuant to this contract. Such special tooling shall be and remain Seller's property notwithstanding payment of any charges by Buyer. In no event will Buyer acquire any interest in apparatus belonging to Seller which is utilized in the manufacture of the items sold hereunder, even if such apparatus has been specially converted.

8. Buyer's Property: Any designs, tools, patterns, materials, drawings, confidential information or equipment furnished by Buyer or any other items which become Buyer's property, may be considered obsolete and may be destroyed by Seller after two (2) consecutive years have elapsed without Buyer placing an

order for the items which are manufactured using such property. Seller shall not be responsible for any loss or damage to such property while it is in Seller's possession or control.

9. Taxes: Unless otherwise indicated on the face hereof, all prices and charges are exclusive of excise, sales, use, property, occupational or like taxes which may be imposed by any taxing authority upon the manufacture, sale or delivery of the items sold hereunder. If any such taxes must be paid by Seller or if Seller is liable for the collection of such tax, the amount thereof shall be in addition to the amounts for the items sold. Buyer agrees to pay all such taxes or to reimburse Seller therefore upon receipt of its invoice. If Buyer claims exemption from any sales, use or other tax imposed by any taxing authority, Buyer shall save Seller harmless from and against any such tax, together with any interest or penalties thereon which may be assessed if the items are held to be taxable.

10. Indemnity For Infringement of Intellectual Property Rights: Seller shall have no liability for infringement of any patents, trademarks, copyrights, trade dress, trade secrets or similar rights except as provided in this Part 10. Seller will defend and indemnify Buyer against allegations of infringement of U.S. patents, U.S. trademarks, copyrights, trade dress and trade secrets (hereunder "Intellectual Property Rights"). Seller will defend at its expense and will pay the cost of any settlement or damages awarded in an action brought against Buyer based on an allegation that an item sold pursuant to this contract infringes the Intellectual Property Rights of a third party. Seller's obligation to defend and indemnify Buyer is contingent on Buyer notifying Seller within ten (10) days after the Buyer becomes aware of such allegations of infringement, and Seller having sole control over the defense of any allegations or actions including all negotiations for settlement or compromise. If an item sold hereunder is subject to a claim that it infringes the Intellectual Property Rights of a third party, Seller may, at its sole expense and option, procure for Buyer the right to continue using said item, place or modify said item so as to make it noninfringing, or offer to accept return of said item and return the purchase price less a reasonable allowance for depreciation. Notwithstanding the foregoing, Seller shall have no liability for claims of infringement based on information provided by Buyer, or directed to items delivered hereunder for which the designs are specified in whole or part by Buyer, or infringements resulting from the modification, combination or use in a system of any item sold hereunder. The foregoing provisions of this Part 10 shall constitute Seller's sole and exclusive liability and Buyer's sole and exclusive remedy for infringement of Intellectual Property Rights.

If a claim is based on information provided by Buyer or if the design for an item delivered hereunder is specified in whole or in part by Buyer, Buyer shall defend and indemnify Seller for all costs, expenses or judgements resulting from any claim that such item infringes any patent, trademark, copyright, trade dress, trade secret or any similar right.

11. Force Majeure: Seller does not assume the risk of and shall not be liable for delay or failure to perform any of Seller's obligations by reason of circumstances beyond the reasonable control of Seller (hereinafter "Events of Force Majeure"). Events of Force Majeure shall include without limitation, accidents, acts of God, strikes or labor disputes, acts, laws, rules or regulations of any government or government agency, fires, floods, delays or failures in delivery of carriers or suppliers, shortages of materials and any other cause beyond Seller's control.

12. Any special requirements for items to be provided by Seller hereunder including without limitation; compliance with military specifications, special documentation, or testing requirements, must be communicated to Seller in writing at the time the items are first requested. Any such requests that are communicated to Seller after preparation to manufacture an item has commenced may result in additional charges for rework or remanufacture of the item.

13. Entire Agreement/Governing Law: The terms and conditions set forth herein, together with any amendments, modifications and any different terms or conditions expressly accepted by Seller in writing, shall constitute the entire Agreement concerning the items sold, and there are no oral or other representations or agreements which pertain thereto. This Agreement shall be governed in all respects by the law of the State of Ohio. No actions arising out of the sale of the items sold hereunder or this Agreement may be brought by either more than two (2) years after the cause of action accrues.



**Parker Hannifin Corporation
Seal Group
Engineered Polymer Systems Division**

Salt Lake City Operations and Headquarters
2220 South 3600 West
Salt Lake City, UT 84119 USA
Ph: 801-972-3000
Fax: 801-973-4019

Nacogdoches Operations
403 Industrial Drive
Nacogdoches, TX 75963 USA
Ph: 936-560-8900
Fax: 936-560-8998
Toll Free: 1-800-233-3900

Redmond Operations
3967 Buffalo Street
Marion, NY 14505 USA
Ph: 315-926-4211
Fax: 315-926-4498

Chicago Operations
2565 Northwest Parkway
Elgin, IL 60123 USA
Ph: 847-783-4300
Fax: 847-783-4301

Parker Hannifin Corporation
Corporate Office
6035 Parkland Blvd.
Cleveland, OH 44124-4141 USA
Ph: 216-896-3000
Fax: 216-896-4000

1-800-C-PARKER
www.parkerseals.com

Your Authorized Parker Seal Distributor

